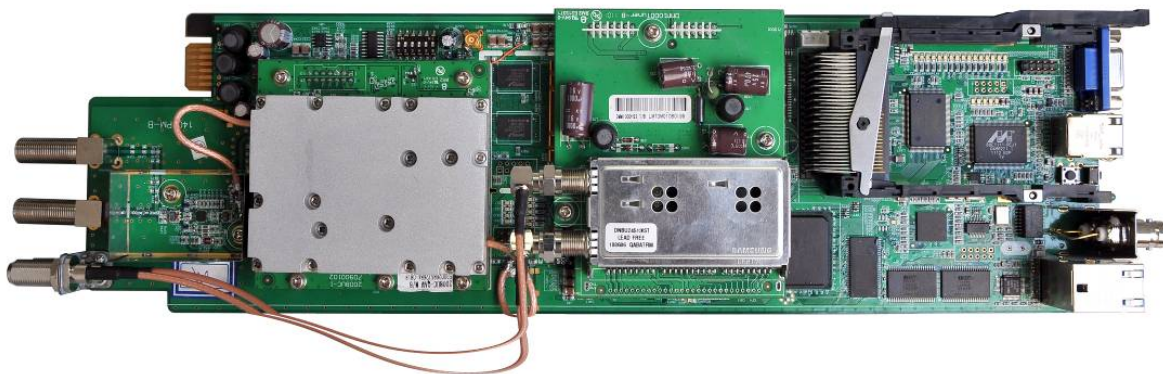


Professional IRD and DVB-T2 Trans-modulator

Model: DMM-1400PM-T2



Main Feature:

- DVB-S2/S or DVB-C or DVB-T/T2 tuner input and ASI input
- Tuner RSSI, received Eb/No & BER monitoring
- Full duplex GbE SPTS/MPTS over IP with UDP/RTP, Unicast/Multicast
- Flexible re-multiplexing from Tuner, ASI and TS/IP inputs
- PSI/SI adapting and re-generation, including NIT, LCN insertion etc.
- Service re-mux and drop, PID filtering and Re-mapping
- 2 x DVB-CI slots, Multiple TV program decryption
- DVB-T2 modulation RF output
- Remote Control and supervision by SNMP, HTTP WEB
- On Site software update through IP or USB



Technical Specification:

DVB-S/S2 Tuner Input	
Connector Type	1 x F type female 75Ω for Input 1 x F type female 75Ω for loop through output
Input Frequency Range	950~2150MHz
Input Level	-25~-65dBm
Symbol Rate	2~45MBaud
Roll-off Factor	DVB-S: 0.35 DVB-S2: 0.2, 0.25, 0.35
FEC Code Rate	DVB-S QPSK: 1/2, 2/3, 3/4, 5/6, 7/8 DVB-S2 QPSK: 1/2, 3/5, 2/3, 3/4, 4/5, 5/6, 8/9, 9/10 DVB-S2 8PSK: 3/5, 2/3, 3/4, 5/6, 8/9, 9/10
LNB Polarity Selection Voltage	0, 13V, 18V selectable
LNB Band Selection Tone	0/22KHz selectable
Satellite Selection Command	DiSEqC 1.0
DVB-C Tuner Input	
Connector Type	1 x F type female 75Ω for Input 1 x F type female 75Ω for loop through output
Input Frequency Range	48~862MHz
Input Level	45~ 75dBμV
Symbol Rate	1~7MBaud(ITU J.83 Annex A)
Constellation	16/32/64/128/256QAM
Bandwidth	6MHz/7MHz/8MHz
Input Return Loss	7dB(typ.)
DVB-T/T2 Tuner Input	
Connector Type	1 x F type female 75Ω for Input 1 x F type female 75Ω for loop through output
Input Frequency Range	174~230MHz(VHF); 470~860MHz(UHF)
Input Level	-20~-70dBm
Carrier Bandwidth	6/7/8 MHz
Modulation	DVB-T: QPSK, 16-QAM, 64-QAM DVB-T2: QPSK, 16-QAM, 64-QAM, 256QAM
FTT Mode	DVB-T: 2K,4K, 8K DVB-T2: 2K
Guard Interval	DVB-T: 1/4, 1/8, 1/16, 1/32 DVB-T2: 1/4, 5/32, 1/8, 5/64 1/16, 1/32
FEC	DVB-T: 1/2, 2/3, 3/4, 5/6, 7/8 DVB-T2: 1/2, 3/5, 2/3, 3/4, 4/5, 5/6
ASI Input	
Connector Type	1 x BNC female, 75Ω
Standard	DVB-ASI, EN50083-9
Input Bit Rate	≤ 100Mb/s



Professional IRD and DVB-T2 Trans-modulator

DMM-1400PM-T2



Package Length	188 or 204 Bytes
TS/IP Input	
Connector Type	1 x RJ-45, 1000 Base-T
Effective Bit Rate	80Mb/s
Protocol	Unicast/Multicast, UDP/RTP, IGMPv2, ARP
TS Processing	
TS Input Management	Remux and demux from Tuner, ASI and TS/IP inputs
TS Output Management	Remux and demux for mirrored ASI outputs
Service and PID management	Remux, filtering and remapping
PSI/SI	PSI/SI table regeneration, NIT and SDT edition, LCN Edition and Re-generation
Descrambler	DVB Common Scrambling Algorithm (CSA)
Common Interface	Double PCMCIA slots, compatible with major CA CAMs in the market
ASI Output	
Connector Type	1 x BNC Female, 75Ω
Standard	DVB-ASI, EN50083-9
TS Processing	TS Re-multiplexing output from Tuner, ASI and TS/IP inputs
TS/IP Output	
Connector Type	1 x RJ-45, 1000 Base-T
Effective Bit Rate	80Mb/s
Protocol	Unicast/Multicast, UDP/RTP, IGMPv2, ARP
DVB-T2 Modulation	
Constellation	QPSK, 16QAM, 64QAM, 256QAM
Bandwidth	5/6/7/8MHz
FFT Mode	2K
Guard Interval	1/4, 1/8, 1/16, 1/32
FEC	1/2, 3/5, 2/3, 3/4, 4/5, 5/6
MER	>38dB
RF Output	
Connector Type	1x F type female, 75Ω (primary output) 1x F type female 75Ω (-20dB for monitoring)
Output Frequency Range	48~860MHz agile, step by 10 KHz
Output Level	95~110dBμV, step by 1dBμV
Spurious Rejection	55dB (typ.)
Output Return Loss	12dB (typ.)
Control & Monitoring	
Connector Type	1xRJ-45, 10/100 Base-T
Remote Control	SNMP, HTTP (Web Interface)
Local Control	Handheld Programmer Unit
Software Upgrade	Embedded FTP loader and Telnet or by USB key
Physical	
Power Supply	DC 12V, 5V , 3.3V
Power Consumption	Max. 25W

www.dh-tv.com

Address: No.3 Feng Zhi East Road, Xi Bei Wang Town, Hai Dian District, Beijing, 100094, China
Telephone: (+86)010-57802000, **Email:** support@dh-tv.com

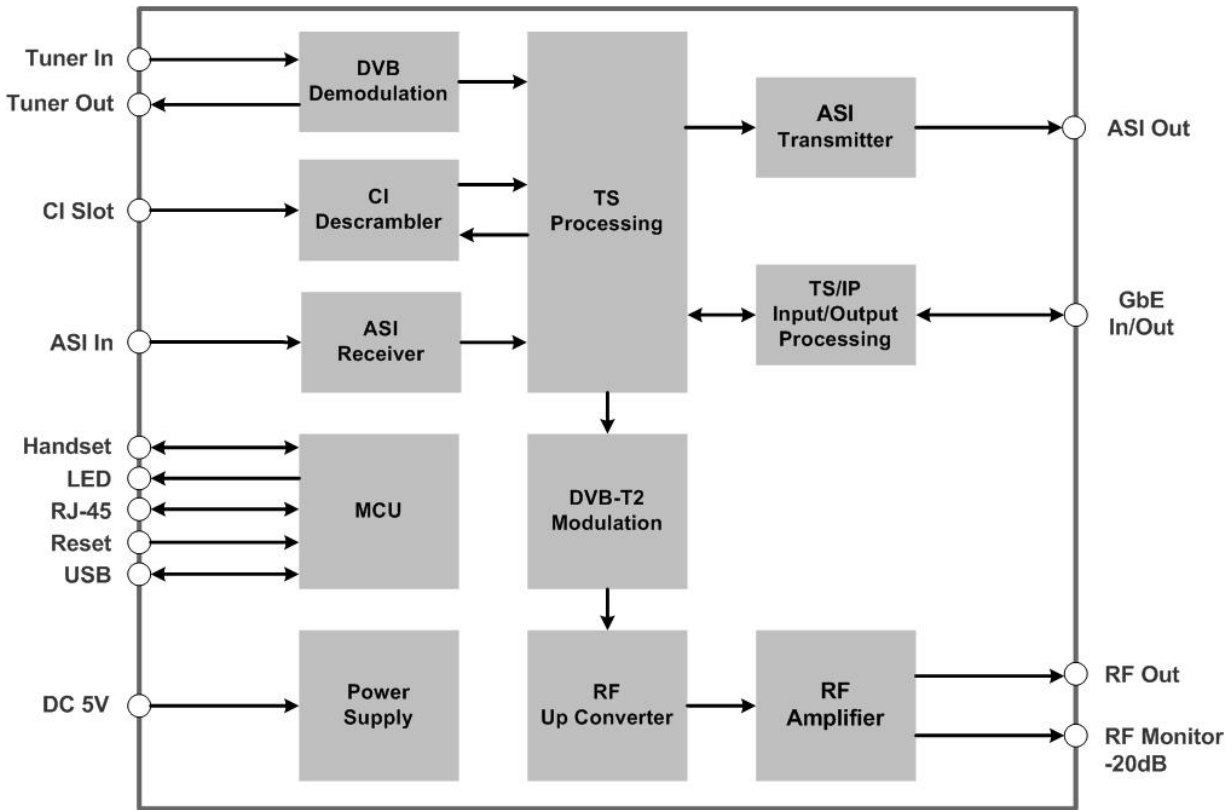


Professional IRD and DVB-T2 Trans-modulator

DMM-1400PM-T2

Operating Temperature	0 ~ 45°C
Storage Temperature	-10 ~ 60°C
Operating Humidity	10 ~ 90%, non-condensed
Dimension	400mm*110mm*30mm
Weight	0.5Kg Net

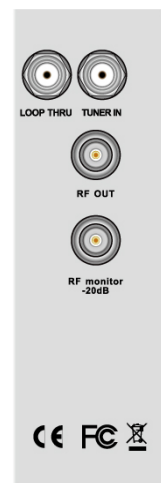
Block Diagram:



Panel View:



DMM-200/1000 Rack



Front/Rear Panel

www.dh-tv.com

Address: No.3 Feng Zhi East Road, Xi Bei Wang Town, Hai Dian District, Beijing, 100094, China
Telephone: (+86)010-57802000, **Email:** support@dh-tv.com

